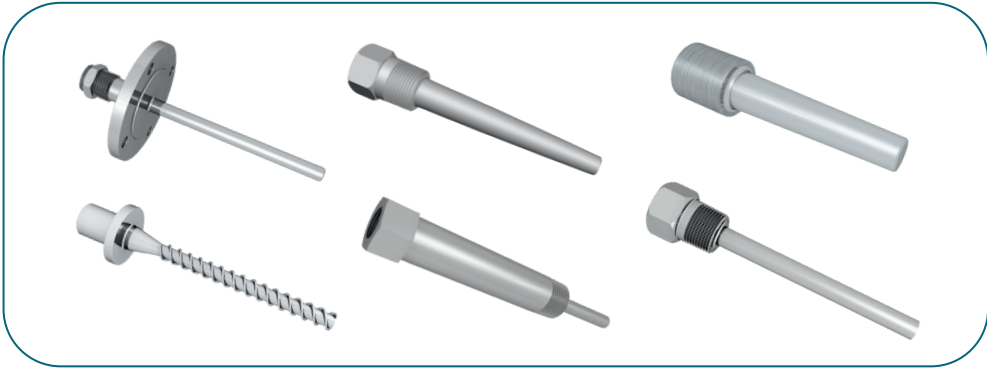




THERMOWELL



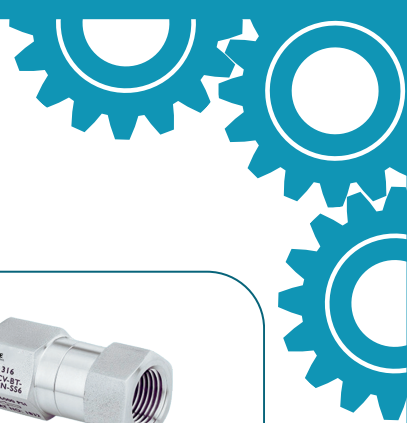
TRANSITION FITTINGS



BALL VALVE



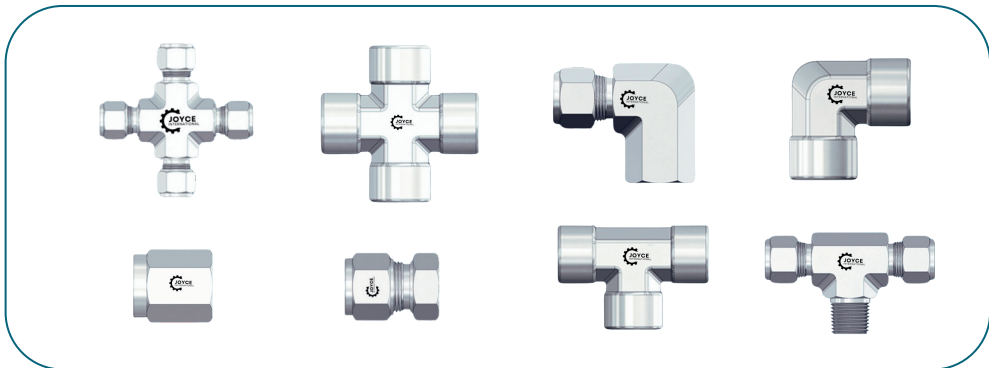
NOTE : DIAGRAM-BASED SOLUTIONS
DIAGRAM-BASED SOLUTIONS, WHERE WE METICULOUSLY ANALYZE AND IMPLEMENT YOUR PROVIDED DIAGRAMS TO DELIVER CUSTOMIZED SOLUTIONS. AT JOYCE INTERNATIONAL, WE UNDERSTAND THE IMPORTANCE OF ALIGNING WITH YOUR SPECIFIC REQUIREMENTS. WITH OUR EXPERTISE IN INTERPRETING AND EXECUTING CLIENT-PROVIDED DIAGRAMS, WE ENSURE SEAMLESS INTEGRATION AND PRECISE FUNCTIONALITY. TRUST JOYCE INTERNATIONAL FOR TAILORED SOLUTIONS THAT ADHERE CLOSELY TO YOUR SPECIFICATIONS AND DELIVER EXCEPTIONAL RESULTS.



CHECK VALVE



TUBE/PIPE FITTINGS



NEEDLE VALVE



VISIT US

NEW ASHA CHS LTD, SHOP NO. 2,
OPP. VASTU ANAND, PARSIK
NAGAR, KHARIGAON, KALWA,
THANE, MAHARASHTRA ,
PIN-CODE: 400605

CALL US

TEL: +919820595523

EMAIL US

joyceinternational.64@gmail.com